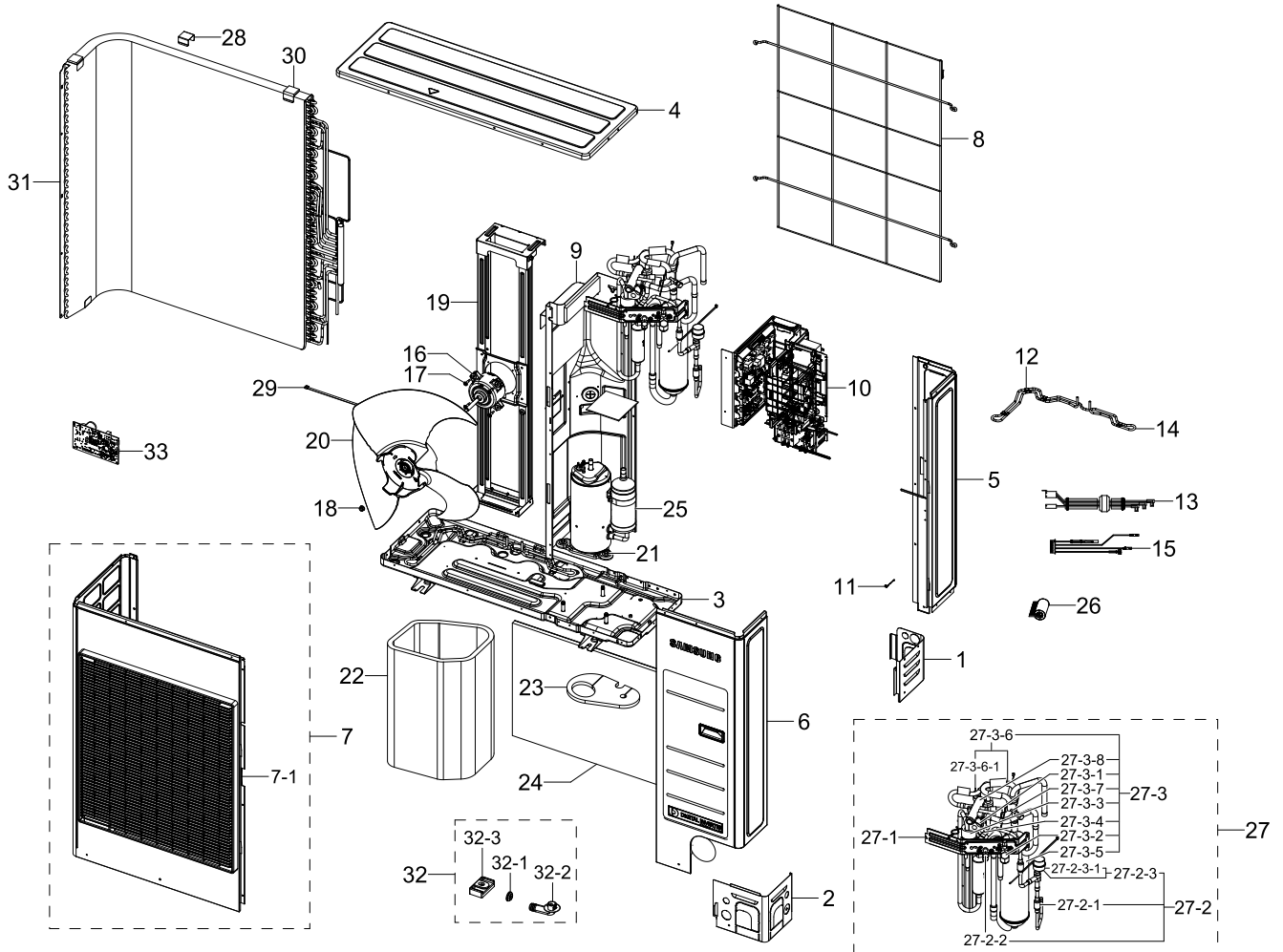


1. AE090RXEDEG/EU

AE090RXEDEG/EU

Exploded View



Parts List

No.	Lvl.	Loc.	Material Code	Description & Specification	SNA	Qty.
1	2		DB64-02525C	CABINET-INSTALL BACK; RC160MHXEA,EGI-SECC	SA	1
2	2		DB64-02526C	CABINET-INSTALL FRONT; RC100PHXEA,EGI-SEC	SA	1
3	2	A0092	DB90-05873E	ASSY BASE OUT; EHS MONO, CODE E	SA	1
4	2	A0212	DB90-05902E	ASSY CABINET-TOP; RC090MHXEA,EHS MONO	SA	1
5	2	A2609	DB90-05903C	ASSY CABI BACK-RH; RC100DHXGA,ManU	SA	1
6	2	A2608	DB90-05904D	ASSY CABI FRONT-RH; RC100DHXGA,ManU	SA	1
7	2	A2620	DB90-05971D	ASSY CABI FRONT-LF; AC120HCADKH/EU	SA	1
7-1	3	G0153	DB63-02728C	GUARD FAN; UB CHASSIS,PP+TD20%,T2.5,EARTH	SA	1

Exploded Views and Parts List

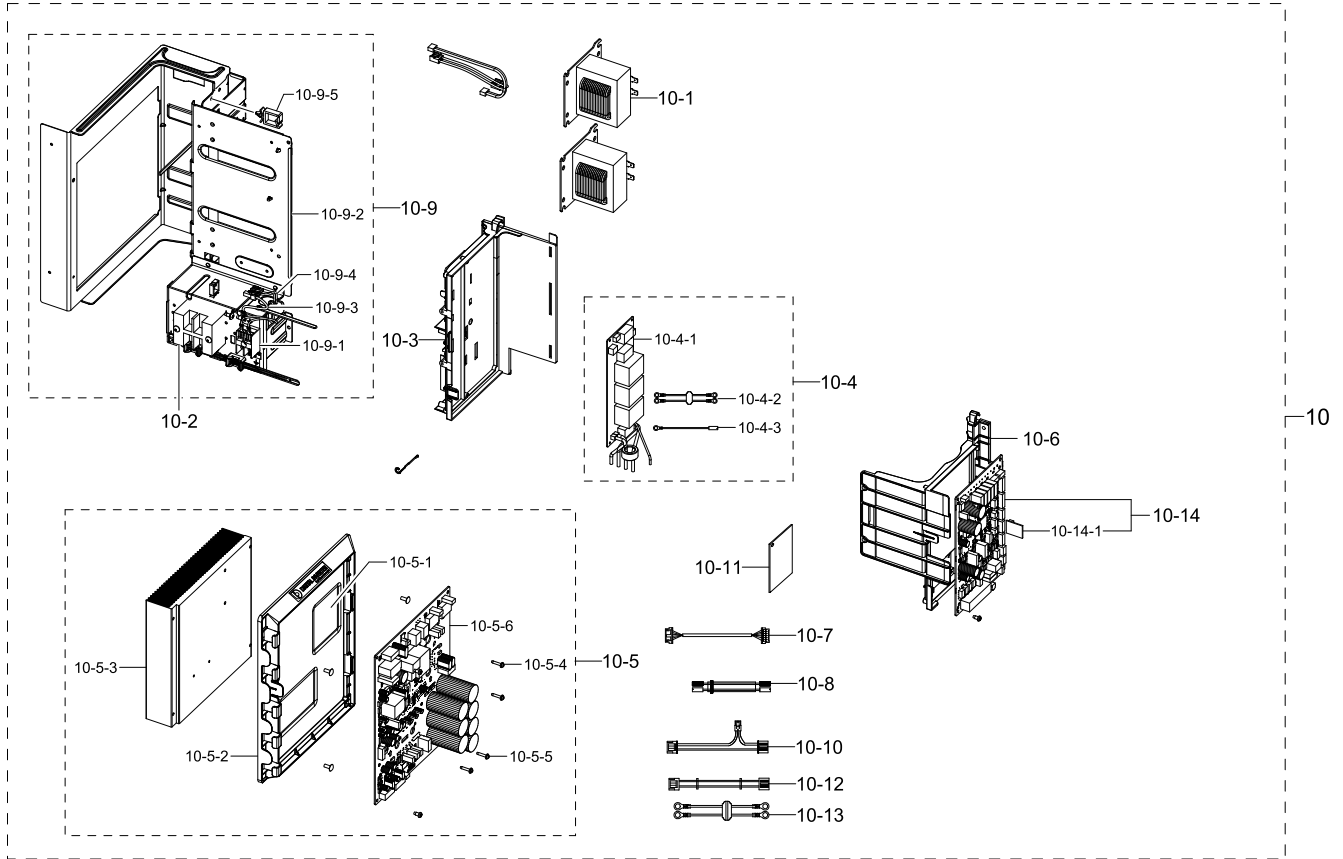
No.	Lvl.	Loc.	Material Code	Description & Specification	SNA	Qty.
8	2	G0131	DB63-02730C	GUARD COND; RC100ZHXE,MSWR,T5,EARTH BROW	SA	1
9	2	A1748	DB94-02720F	ASSY PARTITION; AE090RXEDEG/EU,SPLIT UB1	SA	1
10	2		DB92-05517A	ASSY PBA KIT-OUT MODULE; OUTDOOR,EHS_OTN,	SA	1
11	2	S0242	DB81-00635A	SPRING ETC-SENSOR; DVM-SYSTEM,STS304,ID2.	SA	2
12	2	H0197	DB61-05376A	HOLDER-HEATER; RC160MHXE,STS316L,W15,L26	SA	4
13	2	A0630	DB93-15687A	ASSY CONNECTOR WIRE-COMP; 3,3343,12,RED,M	SA	1
14	2	A1301	DB95-04647A	ASSY HEATER; EHS GEN3 Mono,230V 150W	SA	1
15	2		DB95-04871D	ASSY THERMISTOR OUT-SUB OUT; SMH250-08L/W	SA	1
16	2	M0039	DB31-00579A	MOTOR FAN; 125W,DC310V,CLASS E	SA	1
17	2	S0019	DB60-00150A	SCREW-SPECIAL; HWH,M4,L26,ZPC(WHT),SWRCH1	SA	4
18	2		DB60-00405A	FASTENER-WASHER; RC100ZHXE,SWRCH10A,M8	SA	1
19	2	A2803	DB90-05918A	ASSY BRACKET MOTOR; RC100DHXE,R410A	SA	1
20	2		DB94-04381A	ASSY FAN PROPELLER; DVM S ECO,520	SA	1
21	2	N0024	DB60-30028A	NUT-FLANGE; HWH,M8,ZPC(WHT),SWRCH18A,P1.2	SA	3
22	2		DB63-02011A	FELT-COMP SOUND B; AE090RXEDEG/EU,EVAR/FE	SA	1
23	2	C0586	DB63-03164A	FELT-COMP TOP IN; -,EVAR/FELT,T11.5,W153,	SA	1
24	2	F0091	DB63-03186C	FELT-COMP SIDE; ASV12ACME,CLOTH/EVAR/FELT	SA	1
25	2		UB8TN8265FJWSG	RCP,COMP,RCP,F,R32; RCP,COMP,RCP,F,R32		1
26	2		DB62-03808C	INSULATION-HOLDER SENSOR; RVXFHT100GA,PP	SNA	1
27	2		DB96-21292C	ASSY TUBE 4WAY-VALVE; AE090RXEDEG,R32, UB	SA	1
27-1	3		DB90-05874C	ASSY BRACKET-VALVE; RC100DHXE,T1.2, UB	SA	1
27-2	3		DB96-21294B	ASSY TUBE EEV; AE090RXEDEG,R32, UB1	SA	1
27-2-1	4	T0128	DB62-00541B	TUBE-FILTER; ABM-4500,C1220T-H,T1,OD19.05	SA	2
27-2-2	4		DB62-09652C	VALVE SERVICE-SPINDLE; BRASS,4.6MPa,R410A	SA	1
27-2-3	4	A0420	DB96-24725A	ASSY VALVE-EXPANSION; EHS R32 UB1 SPLIT,	SA	1
27-2-3-1	5		DB62-06172E	VALVE GEAR EXPAN; BRASS,4.6MPa,3.2mm,2000	SA	1
27-3	3		DB96-24723A	ASSY TUBE 4WAY; AE090RXEDEG,R32, UB1	SA	1
27-3-1	4	S0247	DB33-00002J	SOLENOID-COIL ASSY; 220V,2,YEL	SA	1

No.	Lvl.	Loc.	Material Code	Description & Specification	SNA	Qty.
27-3-2	4		DB62-09658D	VALVE SERVICE-SPINDLE; BRASS,4.6MPa,R410A	SA	1
27-3-3	4		DB67-01292A	WEIGHT RUBBER; ADX200VGHHA1,NR,BLK,OD 15.	SA	1
27-3-4	4	W0082	DB67-70011C	WEIGHT-RUBBER; -,NR,T22,W32,-,-,ID12,OD	SA	1
27-3-5	4	A0316	DB96-14716A	ASSY TUBE TANK-ACCUMULATOR; RC100PHXEA,16	SA	1
27-3-6	4		DB96-24722A	ASSY SWITCH PRESSURE; EHS R32	SA	1
27-3-6-1	5	S0208	DB34-00090A	SWITCH PRESSURE; DC5mA,DC5V,4.8MPa,L2000,	SA	1
27-3-7	4		DB98-23795B	VALVE CHARGING; BRASS,4.6MPa,R410A,6.35mm	SA	1
27-3-8	4	V0001	DB62-02838B	VALVE 4WAY; BRASS,3.5HP, 4.6MPa,COMMON	SA	1
28	2	H0121	DB61-00533A	HOLDER-CLAMP COND; RVXMHF050GA,GI-SGCC,T0	SA	1
29	2	C0088	DB65-10088C	CABLE TIE; NYLON66,NTR,W4.8,L190	SNA	1
30	2	A1405	DB90-02316E	ASSY HOLDER-PLATE COND; RC100PHXEA	SA	2
31	2		DB96-15469A	ASSY COND-MODULE; RC100DHXEA,INV	SA	1
32	2		DB97-05328D	ASSY PACKING CASE ACCESSORY; RC100PHXEA,G	SA	1
32-1	3		DB63-10355C	SEAL DRAIN; -,CHLOROPRENE RUBBER,-,T2,W24	SA	3
32-2	3	D0116	DB67-00806A	DRAIN-PLUG OUT; UH140GAV,HDPE,NATURAL,-,S	SA	1
32-3	3	R0132	DB73-20134A	RUBBER-LEG; V2-MD,NBR,T10,BLACK	SA	4
33	1		DB82-04384A	A/S ASSY-EEPROM; AE090RXEDEG,SPLIT	SA	1

2. ASSY KIT

ASSY KIT

Exploded View



Parts List

No.	Lvl.	Loc.	Material Code	Description & Specification	SNA	Qty.
10	2		DB92-05517A	ASSY PBA KIT-OUT MODULE; OUTDOOR,EHS_OTN,	SA	1
10-1	3		DB27-00118A	COIL HARMONIC; 2mH,20A,TAB Type	SA	2
10-2	3	T0174	DB37-00038A	TERMINAL BLOCK; DATA 60A-2P-M,MELAMINE,60	SA	1
10-3	3		DB61-04502D	CASE-EMI; RC090MHXEA,HIPS,L0,NATURAL,VE-1	SA	1
10-4	3		DB92-04635C	ASSY KIT; OUTDOOR,1P,CAC & PAC & EHS,EMI PBA,	SNA	1
10-4-1	4	A1781	DB93-13593A	ASSY PCB SUB-EMI; SUB,CAC-07,230*90,-,-,-	SA	1
10-4-2	4	A0664	DB93-13687B	ASSY CONNECTOR WIRE-POWER; 2,1015,12,BRN,	SA	1
10-4-3	4	A0646	DB93-17102A	ASSY CONNECTOR WIRE-EARTH; 1,1015,12,YEL/	SA	1
10-5	3		DB92-04560A	ASSY KIT; OUTDOOR PF#4,E1-PJT,INVERTER_SA	SA	1
10-5-1	4	G0032	0205-000178	GREASE-SILICON; YG6111,WHITE, for assembl	SA	0
10-5-2	4	C0170	DB61-06473A	CASE PCB; AC145JX4PHH1,ABS,-,L269.4,NATUR	SA	1

No.	Lvl.	Loc.	Material Code	Description & Specification	SNA	Qty.
10-5-3	4	H0034	DB62-12093A	HEAT SINK; NEW PLATFORM #4,AI,T10,W200,L1	SA	1
10-5-4	4	A2876	DB91-00306A	SCREW-MACHINE; SWRCH18A,ZPC(WHT),L16,M3,P	SA	2
10-5-5	4	A2876	DB91-00307A	SCREW-MACHINE; SWRCH18A,ZPC(WHT),L16,M4,P	SA	2
10-5-6	4		DB92-04535A	ASSY PCB INVERTER; INVERTER,EHS_Pf#4_SAFE	SA	1
10-6	3	C0396	DB61-05743A	CASE-PCB; AM053FXMDCH/AA,HIPS,T2,L243.3,N	SA	1
10-7	3	A2934	DB93-04273B	ASSY CONNECTOR WIRE-COMM; 6,2095,26,BLU,S	SA	1
10-8	3	A2610	DB93-15686A	ASSY CONNECTOR WIRE-REACTOR; 2,3343,12,BL	SA	2
10-9	3		DB90-12261A	ASSY PLATE-CONTROL; AC5000B	SNA	1
10-9-1	4	T0174	DB65-00274A	TERMINAL BLOCK; TERMINAL BLOCK,Polycarbon	SA	1
10-9-2	4		DB90-05889C	ASSY CASE CONTROL; AC090JX4PBH1,ManU	SA	1
10-9-3	4	A0646	DB93-17350A	ASSY CONNECTOR WIRE-EARTH; 1,1015,18,YEL/	SA	1
10-9-4	4	A2934	DB93-10808J	ASSY CONNECTOR WIRE-COMM; 2,1015,22,RED,Y	SA	1
10-9-5	4	W0083	DB71-50021A	WIRE-SADDLE; DAWS-2N(R),PA,NTR	SA	2
10-10	3	A0664	DB93-12364A	ASSY CONNECTOR WIRE-POWER; 3,1015,18,BRN,	SA	1
10-11	3		DB93-13218A	ASSY PCB SUB-HEATER; SUB,EHS_GEN3,42*60,2	SA	1
10-12	3	A2954	DB93-13262A	ASSY CONNECTOR WIRE-HEATER; 2,1015,18,BRN	SA	1
10-13	3	A0664	DB93-13687A	ASSY CONNECTOR WIRE-POWER; 2,1015,12,BRN,	SA	1
10-14	3	A0743	DB92-05343C	ASSY PCB MAIN-OUT; OUTDOOR,EHS,192*121,22	SA	1
10-14-1	4		DB93-12483A	ASSY PCB SUB-EEPROM; SUB,DVMPPLUS4 UP,20*2	SA	1