



## S12-128AGM 12V 115Ah (C20)



### CONSTANT CURRENT DISCHARGE (AMPS)

CUT OFF VOLTAGE V/CELL	30M	45M	1H	2H	3H	5H	8H	10H	12H	20H	24H
1.75V	104.5	75.3	62.1	33.0	27.0	17.5	11.9	10.4	8.8	5.8	4.8

CAPACITY in AH (C20)	RESERVE CAPACITY		CCA	
	@25AMPS	@75 AMPS	CCA@0°C	CCA@-18°C
115	200 Mins.	45 Mins.	1200	1000

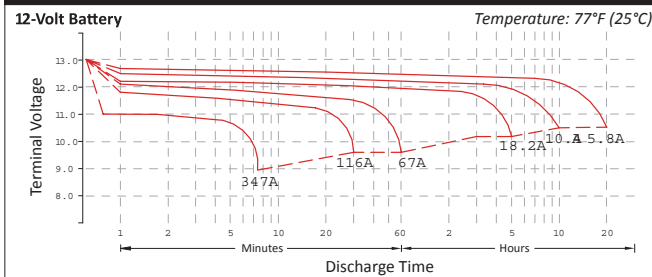
### SPECIFICATIONS

Nominal Voltage		12 Volt
Rated Capacity (20 Hour Rate)		115AH
DIMENSIONS	Total Height (Inc. TP08 Terminals)	240mm
	Height	215mm
	Length	328mm
	Width	172mm
Weight		32.8Kg

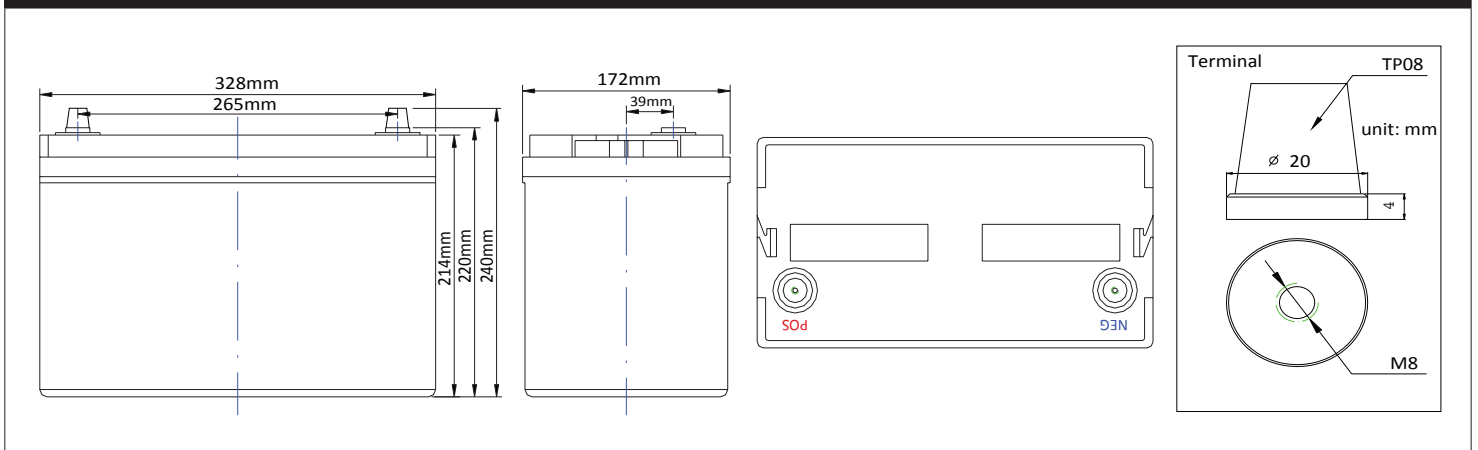
### CHARACTERISTICS

Capacity 25°C (77°F)	20 Hour Rate (5.8A to 10.5 Volts)	115AH
	10 Hour Rate (10.4A to 10.5Volts)	104AH
	5 Hour Rate (18.2A to 10.2 Volts)	91AH
Internal Resistance	Full Charged Battery 25°C (77°F)	3.8mΩ
Capacity Affected by Temperature (20 Hour Rate)	40°C (104°F)	102%
	25°C (77°F)	100%
	0°C (32°F)	85%
	-15°C (5°F)	65%
Self-Discharge 25°C (77°F)	Capacity after 3 Month Storage	91%
	Capacity after 6 Month Storage	82%
	Capacity after 12 Month Storage	64%
Max. Discharge Current 25°C (77°F)	1100A (5s)	
Terminal	Standard	M8 (w/TP08 Brass AP & M included)
Charging (Constant Voltage)	Cycle	Initial Charging Current ≤ 0.2 x C20 14.4V ~ 14.9V/25°C(77°F)
	Float	13.6V ~ 13.8V/25°C(77°F)

### DISCHARGE CHARACTERISTICS



### SIZE & DETAILED ILLUSTRATION



This information is generally descriptive only and is not intended to make or imply any representation, guarantee or warranty with respect to any cells and batteries. Cell and battery designs/specifications are subject to modifications without notice. Contact Rolls Battery for the latest information.

