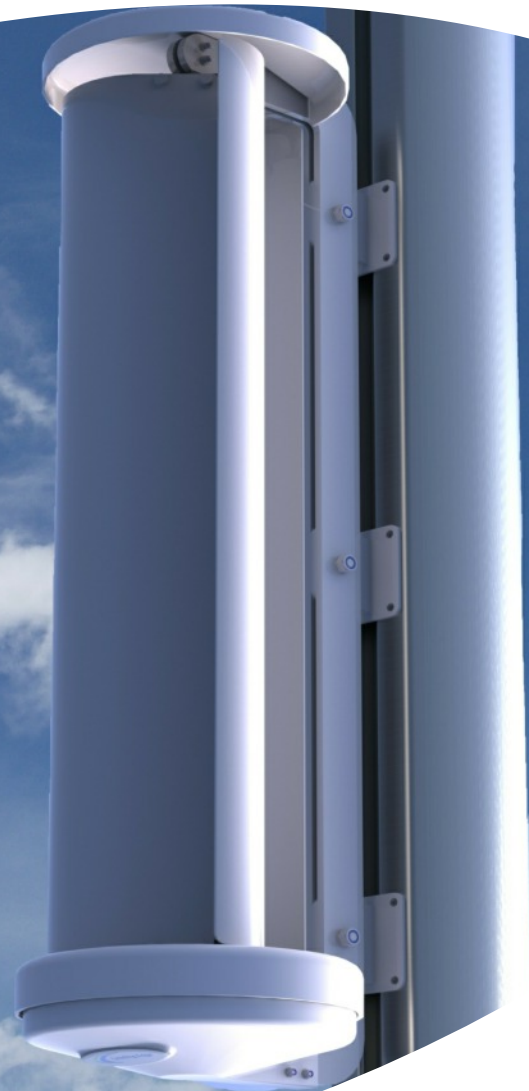


Robust
Silent
Reliable



LE-v150

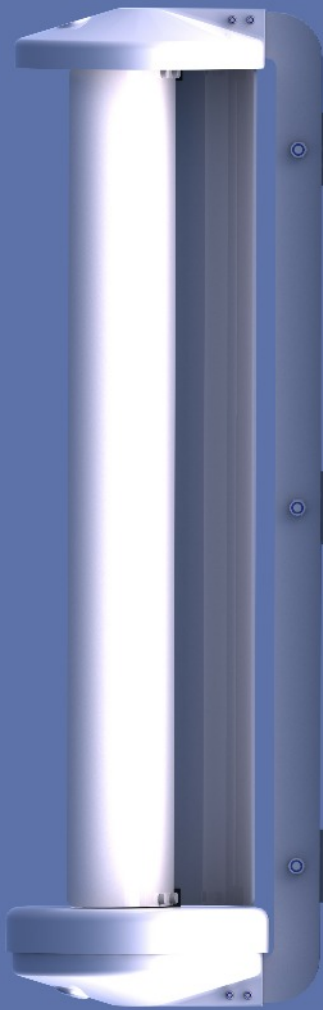
Ideal for **battery charging**
applications where **space** is a
premium



Designed &
manufactured
in the UK

marine & industrial off-grid

LE-v150 Features



LE-v150

Ideal for **battery charging** applications where **space** is a premium

Features:

Output

24W at 8m/s (17.8mph), 200W max

Silent Operation

Absolutely no noise as the turbine operates

Small and compact

Easy to install in places where space is limited

Indestructible

Designed to survive Antarctic winds

Lightweight

Weights just 13Kg

Safe

Bird and bat safe

Proven to be virtually indestructible in extremely harsh environments

This compact and silent vertical axis turbine designed to provide power outputs up to 200 watts for a host of different battery charging applications.

The LE-v150 uses a proven cross-ventilated 'savourious' rotor design which gives excellent power conversion for a vertical axis turbine of this size. The rotor is coupled with a zero cogging axial flux alternator enabling the turbine to start up in the lightest of winds.

The turbine will receive the wind from 360 degrees without the need to yaw into position. The LE-v150 is marine quality finished with bearings sealed for life and fully lubricated, so no greasing or maintenance is required. With only 1 moving part and no brushes or slip-rings to wear out, there is little to go wrong.

LE-v150 Technical Overview

Rotor diameter - 270mm

Rotor Height - 918mm

Rotor Type - 3-Blade savonius

Blade Material - Aluminium

Rated output - 24W at 8m/s (17.8mph)

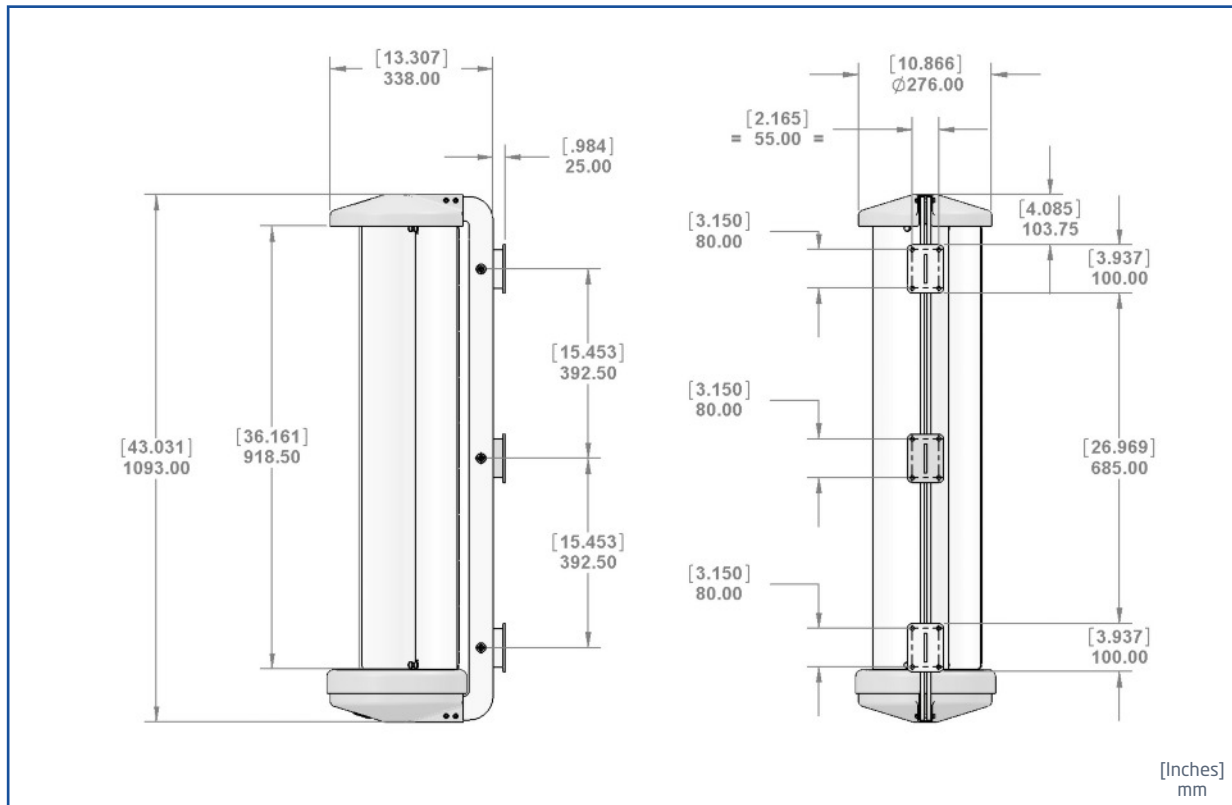
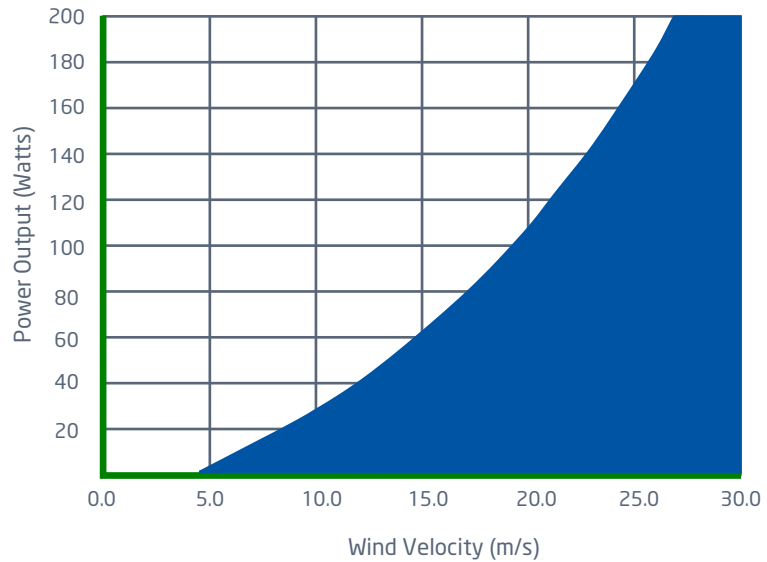
Peak output - 200W

Cut-in speed - 4m/s (9mph)

Weight - 13Kg

DC output voltage - 12V or 24V

Warranty - 2 years



The LE-v150 has a design life of 20 years, but due to its modular design and ease of maintenance, the turbine could easily run indefinitely.

The LE-v150 is available in 12V and 24V versions. It can be combined with Solar PV panels in off-grid renewable energy systems, powering LED street lights and remote telemetry. The turbine can be side mounted to an existing structure using the supplied mount brackets.

LE-v150 Applications



- **Marine**
- **Telemetry**
- **Trickle charging**
- **LED Lighting systems**
- **Road signage**
- **Off-grid**
- **Extreme environments**

Wind turbine performance is subject to many factors. All output data contained in this document is indicative and actual turbine outputs will depend on the prevailing site and installation conditions.

Your local distributor

Our LE-v150 vertical axis turbine is compact and silent. It is suitable for use in applications where a traditional horizontal axis turbine may be inappropriate - such as powering road signage and lighting in sub-urban areas.



Leading Edge Turbines
Skyrrid Farm | Pontrilas
Herefordshire | HR2 0BW

Call 0845 652 0396 | Email info@leturbines.com
Copyright © 2013 Leading Edge Turbines