

# 7# AL-Hook Installation Guide



XIAMEN GRACE SOLAR TECHNOLOGY CO., LTD.

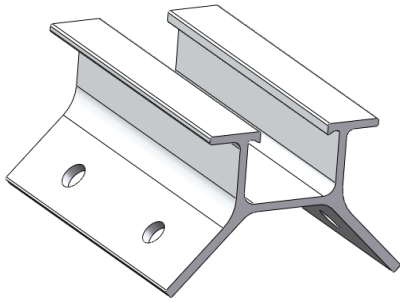
Phone: 0086-592-5239037  
Web: www.gracesolar.com

Fax: 0086-592-5732132  
Mail: info@gracesolar.com

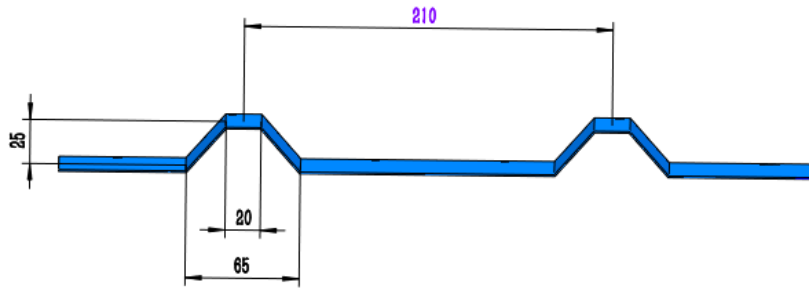


## 7# AL-Hook Installation Guide

### 1. Hook Appearance



7# AL-Hook



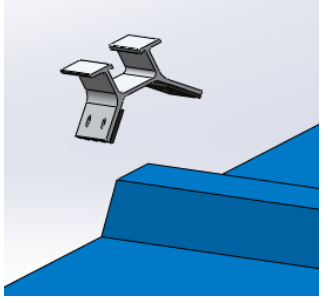
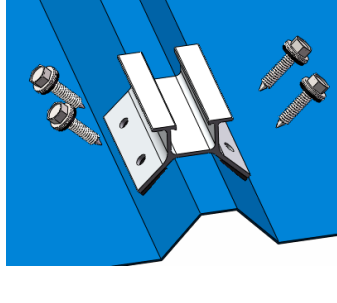
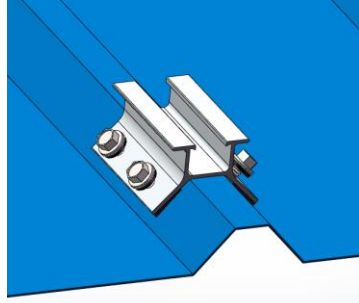
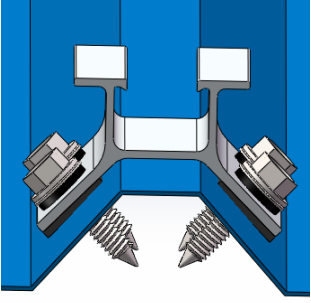
Suitable Roof Sectional View

Notice: 7# AL-Hook is made of AL6005-T5 instead of 7# stainless steel hook

### 2. Installation step:

#### 2.1 . Installation on Tin/Metal Roof

Connect the hook with tin roof by self-tapping screw, show as follow:

a. Put the hook and Rubber Pad on Tin Roof	b. Use Power tool to drill the self-tapping screw	c. Fasten the hook with Tin Roof	d. Finished install
			

(ps:) In case of water leak, a layer of rubber pad must be put among hook, tin roof & self-tapping screw

### 3. Install solar panels on the hook

#### 3.1 Install the solar panels on the hook directly (without rail)

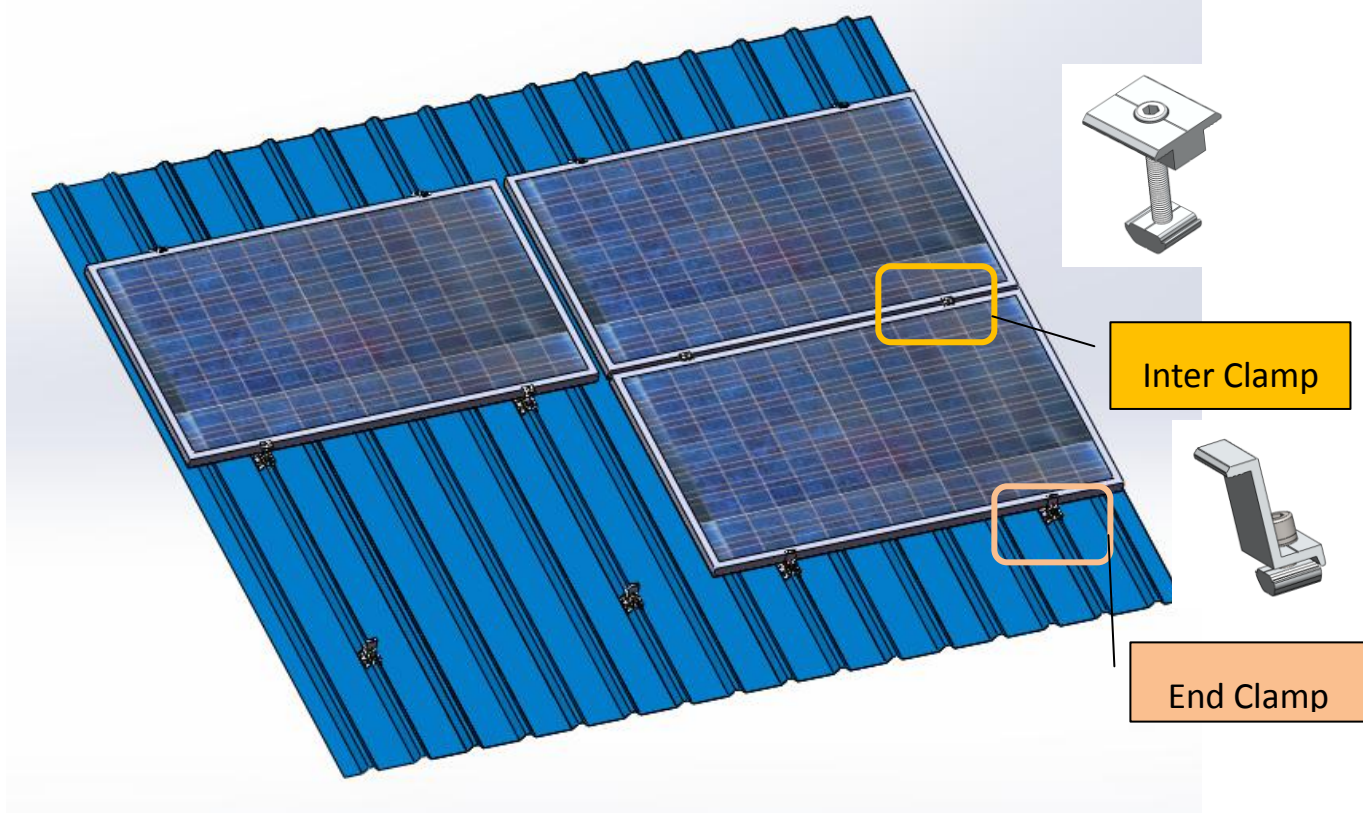
# Grace Installation Guide



XIAMEN GRACE SOLAR TECHNOLOGY CO., LTD.

Phone: 0086-592-5239037  
 Web: www.gracesolar.com

Fax: 0086-592-5732132  
 Mail: info@gracesolar.com



Fix the solar panels on hook by inter clamp & end clamp			
Install End Clamp, as figure		Install Inter Clamp, as figure	

**3.2 Install the rails on the hooks and solar panels on the rails**  
DR Rail and 8R Rail also can be installed on 7# AL-Hook, DR Rail installed as below figure:

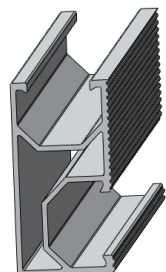
# Grace Installation Guide



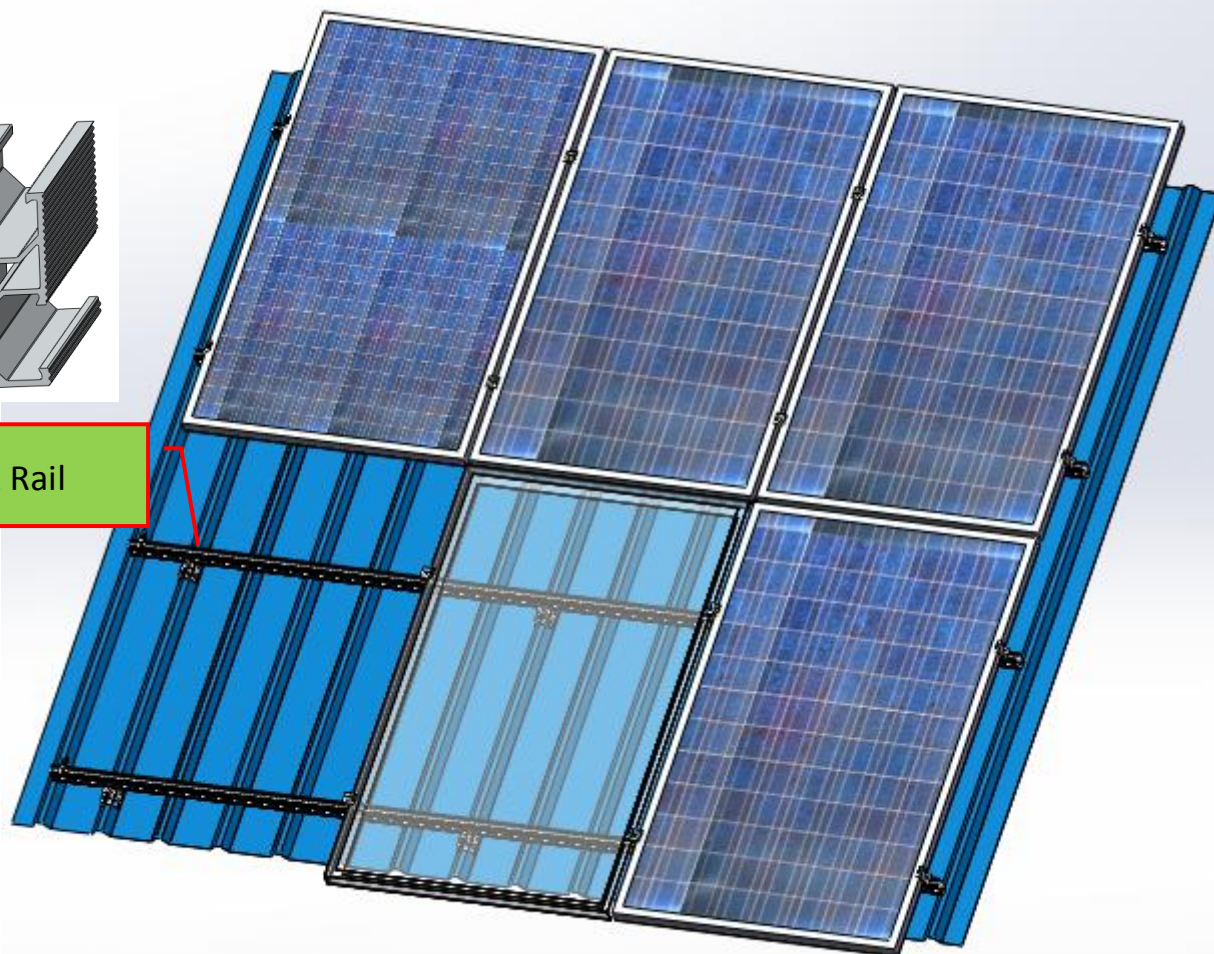
XIAMEN GRACE SOLAR TECHNOLOGY CO., LTD.

Phone: 0086-592-5239037  
 Web: www.gracesolar.com

Fax: 0086-592-5732132  
 Mail: info@gracesolar.com

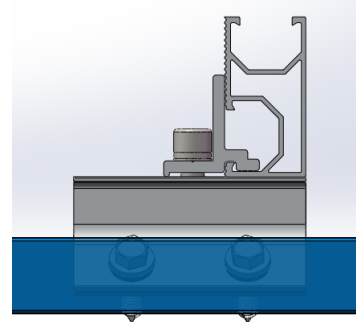
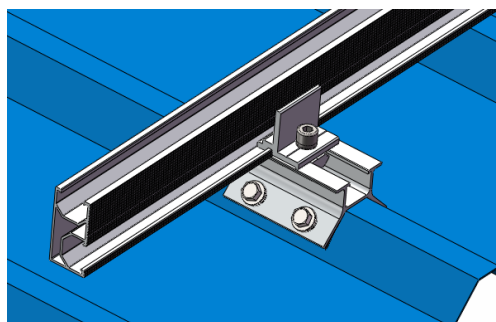
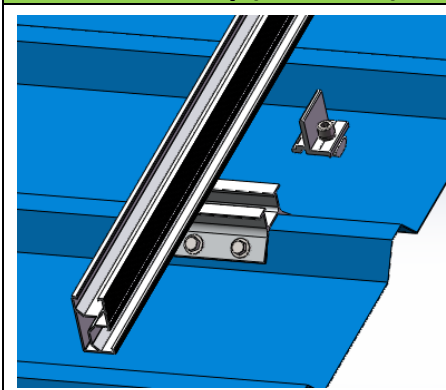


DR Rail



## A) Install DR rail on 7# AL-Hook

Use Rail Clamp(GS-RC-D) to fasten the rail on 7# AL-Hook, as below figure:



# Grace Installation Guide



XIAMEN GRACE SOLAR TECHNOLOGY CO., LTD.

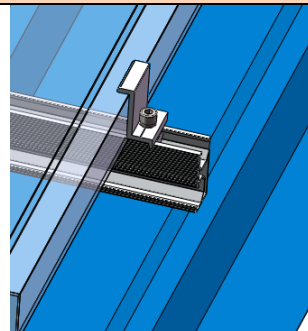
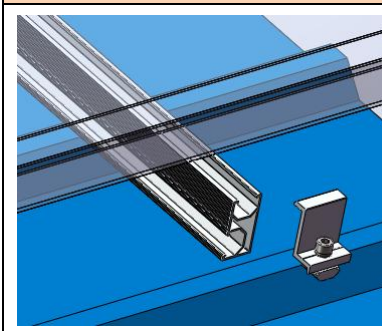
Phone: 0086-592-5239037  
Web: www.gracesolar.com

Fax: 0086-592-5732132  
Mail: info@gracesolar.com

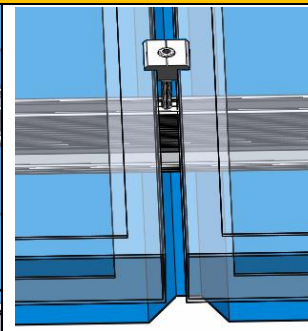
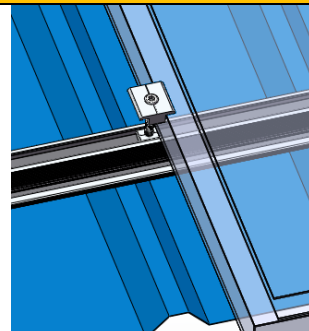


## B) Install the solar panels on the rails

### Install End Clamp



### Install Inter Clamp



## 4. Installation tools

Allan Key 6mm	Power Tool	Drill Bit For Power Tool(5mm)
		
Cross Screwdriver	Tape Measure	Bolt Sleeve for M8
		

### Caution:

Bolt locking torque M8 Bolt: 11 Nm