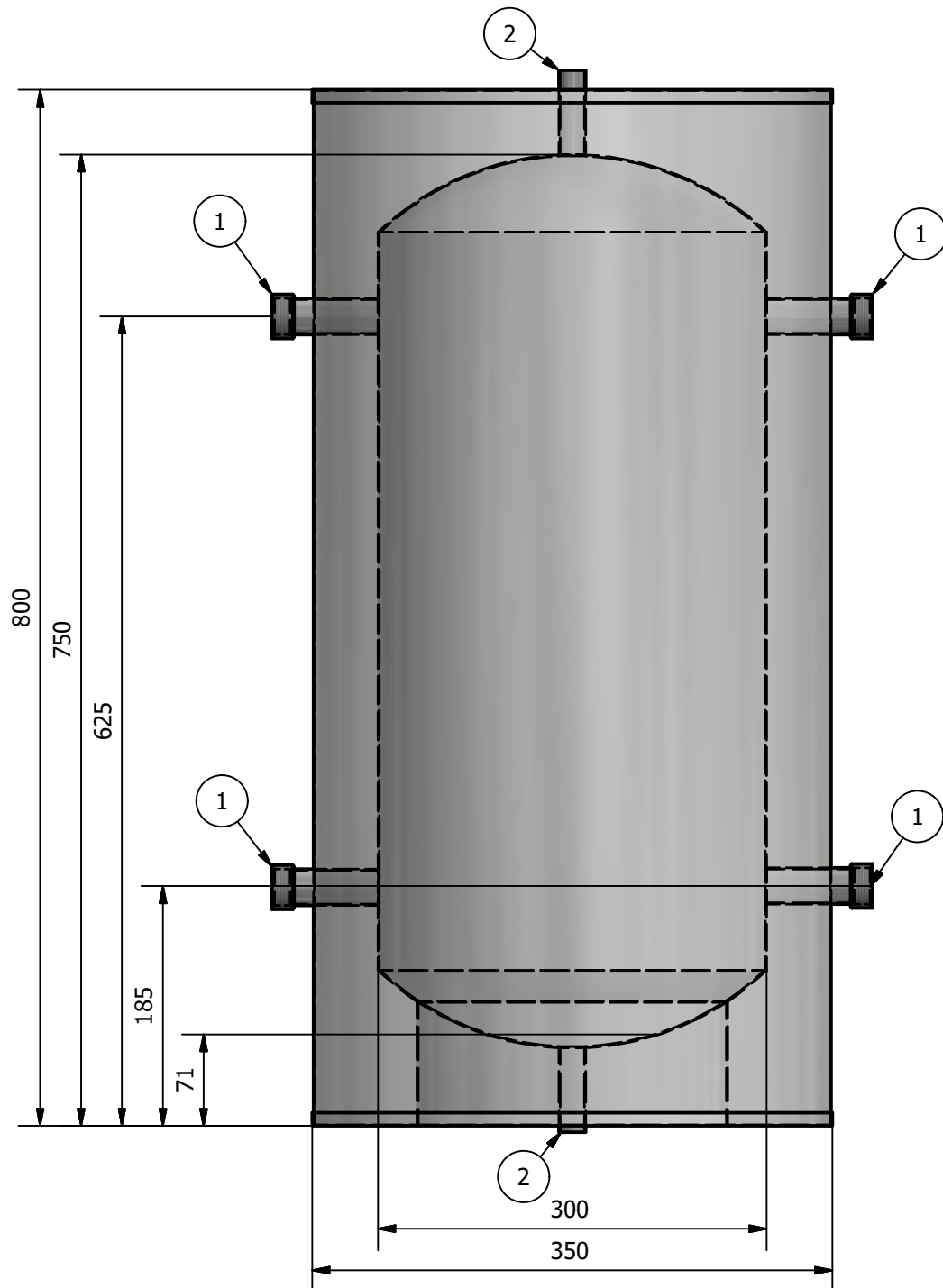
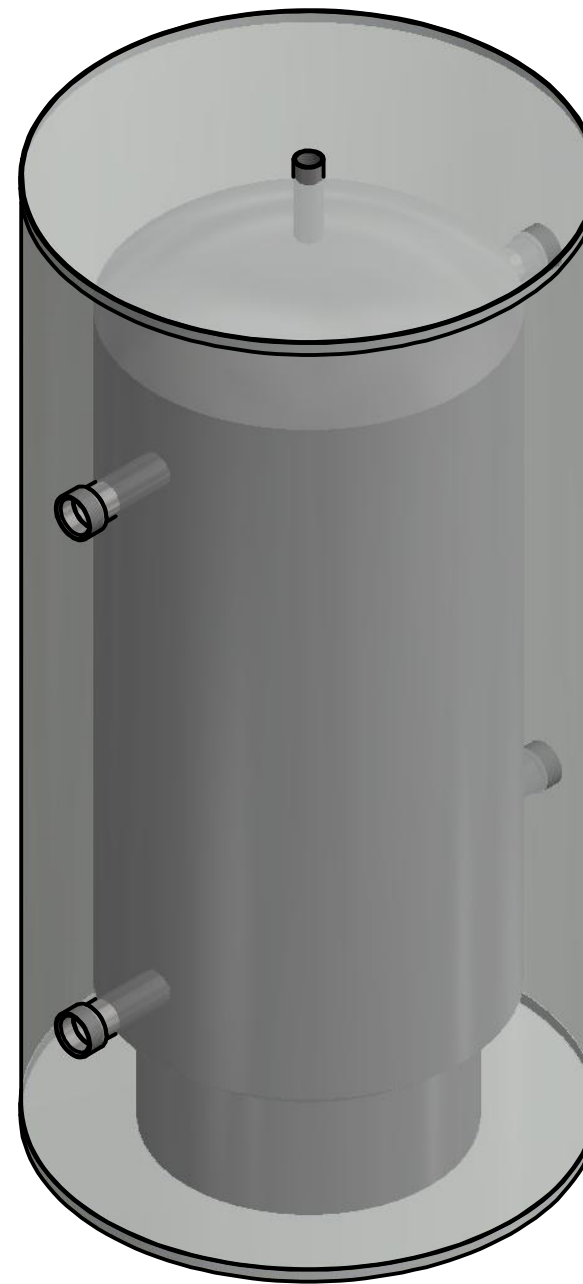


PARTS LIST		
ITEM	QTY	PART
1	4	28mm Compression Fitting (65mm Extended)
2	2	G 1/2 INT - 65 mm Extended (Stainless Steel)

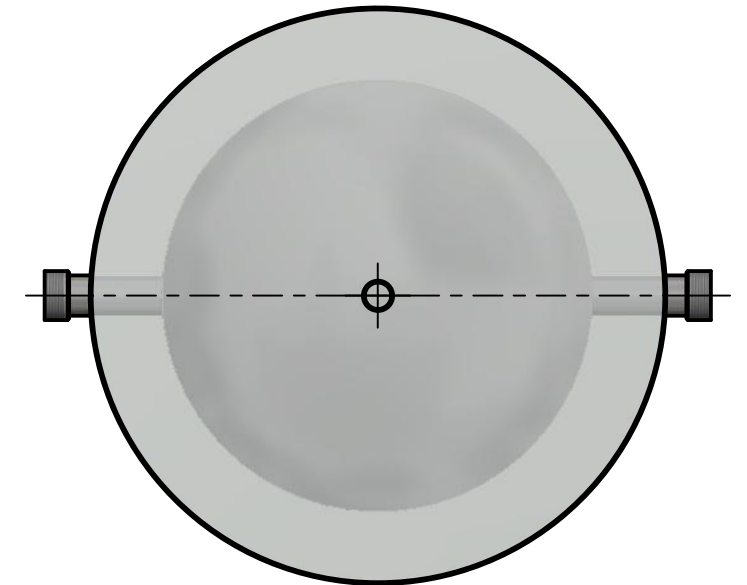
Front View (0.19 : 1)



Isometric View (0.19 : 1)



Top View (0.19 : 1)



*Vessel to be supplied with 2 x wall mounting brackets

	PRIMARY:	SECONDARY:	ADDITIONAL NOTES:
MAX WORKING PRESSURE:	N/A BarG	6 BarG	1. Stand Size = 750 x 28 x 1 mm
DESIGN PRESSURE:	N/A - N/A BarG	0 - 6.7 BarG	2. Approx Dry Weight = 16 kg
TEST PRESSURE:	N/A BarG	10.05 BarG	3.
DESIGN TEMPERATURE:	N/A - N/A °C	1 - 110 °C	4.
STANDING HEAT LOSS:	0.28 kWh/24h at 60°C & 21°C		5.


WORLD HEAT
 CYLINDERS
CYLINDER GENERATOR

This drawing, and information contained within, is the property of World Heat Ltd. and must not be copied in whole/part or used for manufacture/otherwise disclosed without the prior written consent of the company.

TITLE:	50INLINE BUFF		
DESCRIPTION:	50 Litre Stainless Steel Buffer		
QUANTITY:	TBC	CASE:	None
CUSTOMER:	-	WH REF.:	-
DESIGNED BY:	Mark Sidebottom	DATE:	17/02/2022
CHECKED BY:		DATE:	
APPROVED BY:		DATE:	
DRAWING NO.:	0	REVISION:	1
Unit 4, Tudor Industrial Estate, Dukinfield, SK16 4RN. Tel: 0161 343 8610 Email: sales@worldheat.co.uk			