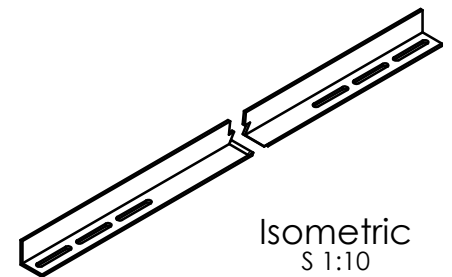
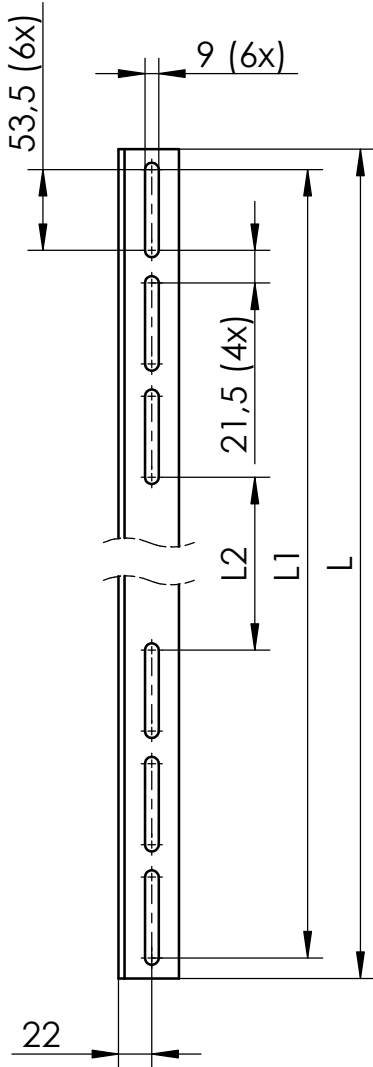


Maximum allowable ballast:

108 kg

distributed on mounted Porter Set (2 pieces)



Item no.	Designation	L [mm]	L1 [mm]	L2 [mm]	weight [g/pc]	Modul dimension [mm]
2003150	Dome Porter short	1844	1817	1410	1478,2	1448-1799
2003151	Dome Porter long	2195	2168	1761	1766,3	1799-2150



K2 Systems GmbH
Industriestr. 18
71272 Renningen
Germany
+49 7159 42059-0

Designation:

Data sheet
Dome Porter

Name	Date	Material:	Item no.:	see table	A4
Designed	S. Frey	EN AW 6063 T66			
Approved	M. Wiggers	Surface: mill finish	Drawing no.:	07-471-05	All dimensions in mm
Last change	A. Gerstenberger	21.06.2021	Weight: see table	Scale: 1:5	Sheet 1 of 1

This drawing is the sole property of K2 Systems GmbH. It is protected by copyright and may only be copied, reproduced or distributed to a third party with explicit permission!