

1

2

3

4

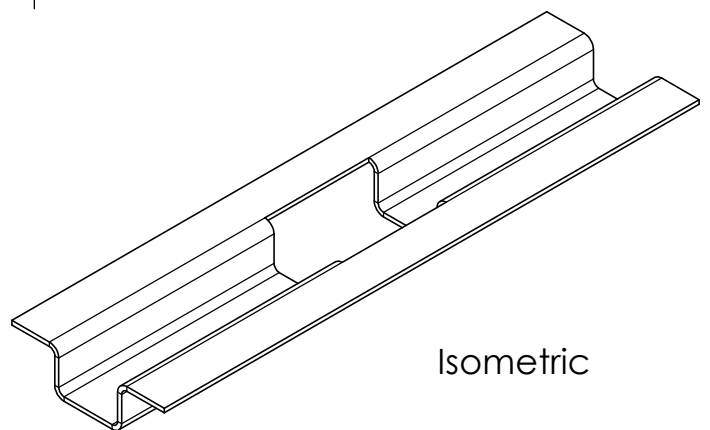
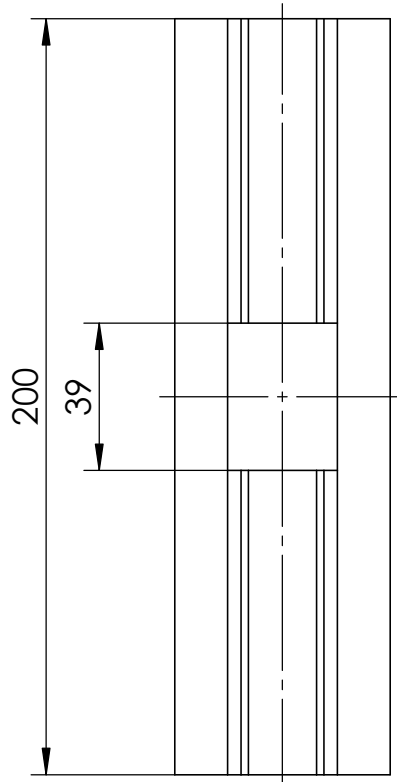
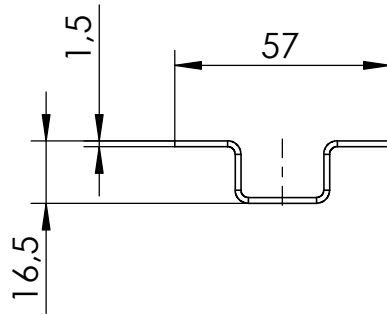
A

B

C

D

E



Isometric



K2 Systems GmbH  
 Industriestr. 18  
 71272 Renningen  
 Germany  
 +49 7159 42059-0

Designation:

Data sheet  
 Dome SpeedPorter

F

	Name	Date	Material:	Item no.:	2002300	A4
Designed	M. Preiß	15.02.2016	EN AW 5754 H111			
Approved	M. Wiggers	12.04.2016	Surface: blank	Drawing no.:	07-015-05	All dimensions in mm
Last change	J.Dages	08.11.2021	Weight: ca. 58.1 g/pc	Scale: 1:2		Sheet 1 of 1

This drawing is the sole property of K2 Systems GmbH. It is protected by copyright and may only be copied, reproduced or distributed to a third party with explicit permission!