

Plastic Support

Tilt for flat roofs, grounds

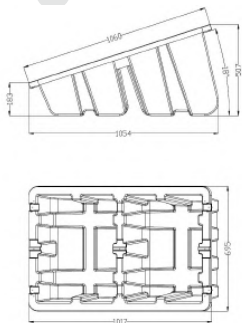


Product Features

- Widely used for both crystalline and thin film modules.
- Easy & quick installation
- Only 2~3 kinds of components and no more than two kinds of tools in whole system fixation.
- All system components are made with high quality aluminum & stainless steel.

Technical Data

Project site	Flat roof or Ground
Slope of roof	18 degree
Max Building Height	Up to 20m
Wind Load	60m/s
Snow Load	2.0kn/ m ²
Applicable Module	Frame / frameless module, crystalline/ thin film module
Module Orientation	Landscape or portrait
Material	HDPE
Color	Black



Types	Asphalt or concrete flat roof, ground
Filler	Gravel, stone, bricks
Weight of filler	100KG
Content	1× plastic box
	4× plastic end clamps
	4× screws
Installation guide	No. of module +1
Life time	20 years
Dimension	1054×695×507mm
Net weight	7.5KG
Panel orientation	Landscape
panel width available	998-1010mm

System Overview

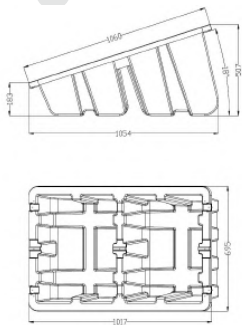


Instructions of Landscape Installation (998-1010mm width panel)



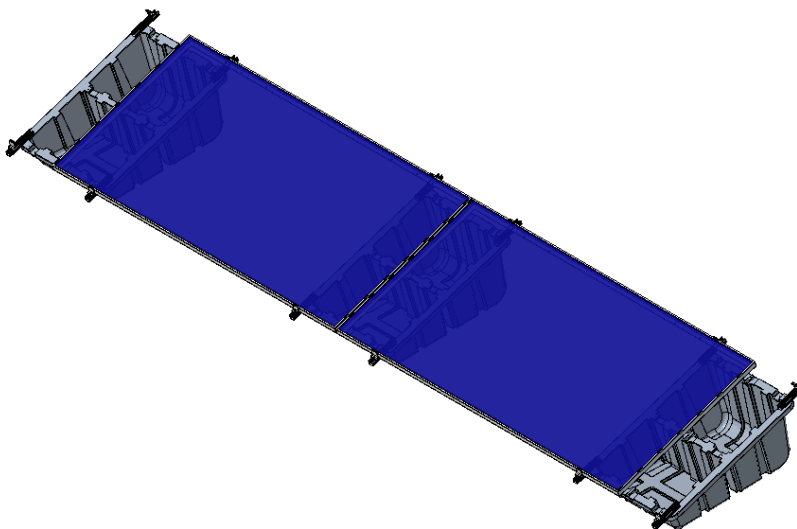
Put the plastic trays on the ground with gravels or stones(the weight should be 60-100kg per tray)

Fix the panels on the trays by the plastic end clamps with 6*30 screw



Types	Asphalt or concrete flat roof, ground
Filler	Gravel, stone, bricks
Weight of filler	100KG
Content	1× plastic box
	4× mini rail
	4× Al end clamps
Installation guide	No. of module +1
Life time	20 years
Dimension	1054×695×507mm
Net weight	7.5KG
Panel orientation	Landscape
panel width available	1010-1200mm

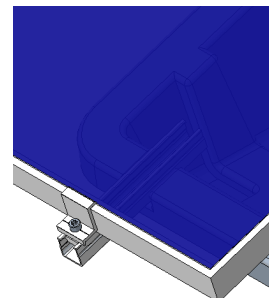
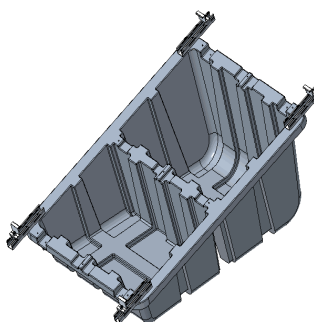
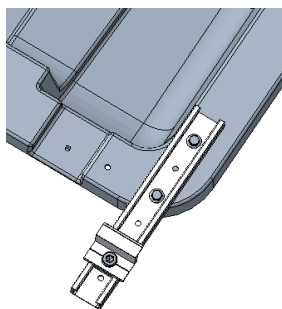
System Overview



Instructions of Landscape Installation (1010-1200mm width panel)

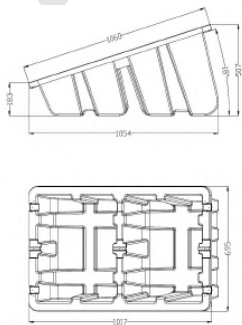


Put the plastic trays on the ground with gravels or stones (the weight should be 60-100kg per tray)



Fix 4 pcs 140mm mini rails on the side of plastic trays by 8pcs 6.3*25 screw or 4 pcs 200mm mini rails by M8*30 bolt set, then fasten the aluminum end clamps to install the solar panels.

www.fastensolar.com



Types	Asphalt or concrete flat roof, ground
Filler	Gravel, stone, bricks
Weight of filler	100KG
Content	1× plastic box
	2× plastic padding
	3× Al mid clamps+3× Al end clamps
Installation guide	No. of module +1
Life time	20 years
Dimension	1054×695×507mm
Net weight	7.5KG
Panel orientation	Portrait
panel width available	800-1300mm

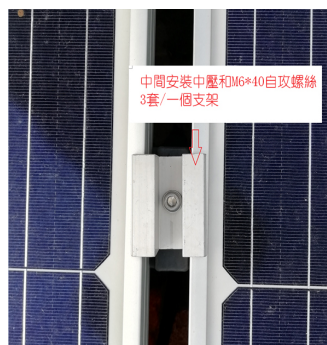
System Overview



Instructions of Portrait Installation (800-1300mm width panel)



Put the plastic trays on the ground with gravels or stones(the weight should be 60-100kg per tray)



Fix the panels on the trays by 3pcs*aluminum mid clamps and end clamps with 6*45 screw. (if it's over 40mm width panel, should use longer screw)

